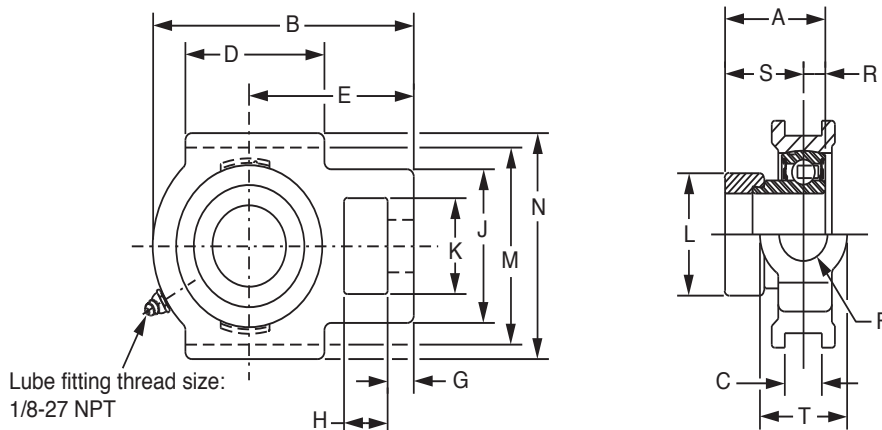
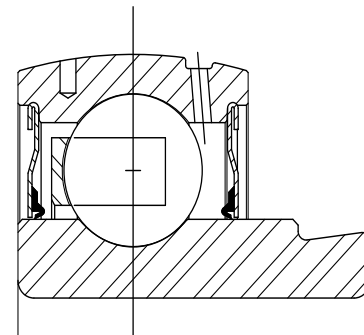




SELECTION/DIMENSIONS

Eccentric SXV Collar Ball Bearings SXV INTERMEDIATE DUTY WIDE SLOT TAKE-UP BEARINGS



Series	Shaft Size	Standard	
		Part No.	Description
204	3/4	131238	WSTU-SXV-012
	20mm	130793	WSTU-SXV-20M
205	7/8	131239	WSTU-SXV-014
	15/16	131240	WSTU-SXV-015
	1	131241	WSTU-SXV-100
	25mm	130794	WSTU-SXV-25M
206	1-1/8	131243	WSTU-SXV-102
	1-3/16	131244	WSTU-SXV-103
	1-1/4	131245	WSTU-SXV-104S
	30mm	130795	WSTU-SXV-30M
207	1-1/4	131246	WSTU-SXV-104
	1-3/8	131248	WSTU-SXV-106
	1-7/16	131249	WSTU-SXV-107
	35mm	130796	WSTU-SXV-35M
208	1-1/2	131250	WSTU-SXV-108
	40mm	130797	WSTU-SXV-40M
209	1-11/16	130346	WSTU-SXV-111
	1-3/4	130347	WSTU-SXV-112
	45mm	130798	WSTU-SXV-45M
210	1-15/16	130348	WSTU-SXV-115
	2	130349	WSTU-SXV-200
	50mm	130799	WSTU-SXV-50M
211	2	130350	WSTU-SXV-200L
	2-3/16	130351	WSTU-SXV-203
	55mm	@	WSTU-SXV-55M

@ Assemble to order

FEATURES/BENEFITS PAGE B9-2	SELECTION PAGE B9-6	HOW TO ORDER/NOMENCLATURE PAGE B7-5	MODIFICATIONS/ACCESSORIES PAGE B9-36
--------------------------------	------------------------	--	---

Eccentric Collar Ball Bearings
 Setscrew VSC Ball Bearing
 Eccentric SXV Collar Ball Bearing
 Take-Up Frames
 Engineering
 Part Number Index
 Keyword Index

SELECTION/DIMENSIONS



Eccentric SXV Collar Ball Bearings SXV INTERMEDIATE DUTY WIDE SLOT TAKE-UP BEARINGS

Eccentric Collar Ball Bearing

Setscrew VSC Ball Bearing

Eccentric SXV Collar Ball Bearing

Take-Up Frames

Engineering

Part Number Index

Keyword Index

Series	Shaft Size	Weight lbs kg	Take-Up Frame Size	A	B	C*	D	E	F Screw Dia.	G	H	J	K	L	M	N	R	S	T
204	3/4	1.2	WS300	1.22	3.69	0.531	2.00	2.38	5/8	0.38	0.63	2.00	1.25	1.31	2.985/3.015	3.63	0.30	0.92	1.38
	20mm	0.5		31.0	93.7	13.49	50.8	60.5	15.9	9.7	16.0	50.8	31.8	33.3	75.82/76.58	92.2	7.6	23.4	35.1
205	7/8	1.7	WS300	1.22	3.81	0.531	2.00	2.44	5/8	0.38	0.63	2.00	1.31	1.50	2.985/3.015	3.63	0.30	0.92	1.38
	15/16	1.6		31.0	96.8	13.49	50.8	62.0	15.9	9.7	16.0	50.8	33.3	38.1	75.82/76.58	92.2	7.6	23.4	35.1
	1	1.5		25mm	0.7	31.0	96.8	13.49	50.8	62.0	15.9	9.7	16.0	50.8	33.3	38.1	75.82/76.58	92.2	7.6
206	1-1/8	2.8	WS308	1.41	4.38	0.531	2.25	2.75	3/4	0.38	0.63	2.19	1.44	1.75	3.480/3.510	4.13	0.35	1.05	1.63
	1-3/16	2.6		35.8	111.3	13.49	57.2	69.9	19.1	9.7	16.0	55.6	36.6	44.5	88.39/89.15	104.9	8.9	26.7	41.3
	1-1/4	2.5		35.8	111.3	13.49	57.2	69.9	19.1	9.7	16.0	55.6	36.6	44.5	88.39/89.15	104.9	8.9	26.7	41.3
	30mm	1.2		35.8	111.3	13.49	57.2	69.9	19.1	9.7	16.0	55.6	36.6	44.5	88.39/89.15	104.9	8.9	26.7	41.3
207	1-1/4	2.8	WS308	1.53	4.87	0.531	2.50	3.06	3/4	0.50	0.63	2.50	1.44	2.13	3.480/3.510	4.13	0.37	1.16	1.63
	1-3/8	2.6		38.9	123.7	13.49	63.5	77.7	19.1	12.7	16.0	63.5	36.6	54.1	88.39/89.15	104.9	9.4	29.5	41.3
	1-7/16	2.5		38.9	123.7	13.49	63.5	77.7	19.1	12.7	16.0	63.5	36.6	54.1	88.39/89.15	104.9	9.4	29.5	41.3
	35mm	1.2		38.9	123.7	13.49	63.5	77.7	19.1	12.7	16.0	63.5	36.6	54.1	88.39/89.15	104.9	9.4	29.5	41.3
208	1-1/2	4.7	WS400	1.72	5.69	0.688	3.25	3.50	1	0.63	0.75	3.25	1.94	2.38	3.985/4.015	4.50	0.43	1.28	1.94
	40mm	2.2		43.6	144.5	17.48	82.6	88.9	25.4	16.0	19.1	82.6	49.3	60.5	101.22/101.98	114.3	11.0	32.6	49.3
209	1-11/16	4.8	WS400	1.69	5.63	0.688	3.25	3.44	1	0.63	0.75	3.25	1.94	2.50	3.985/4.015	4.75	0.43	1.26	1.94
	1-3/4	4.7		42.9	143.0	17.48	82.6	87.4	25.4	16.0	19.1	82.6	49.3	63.5	101.22/101.98	120.7	10.9	32.0	49.3
	45mm	2.2		42.9	143.0	17.48	82.6	87.4	25.4	16.0	19.1	82.6	49.3	63.5	101.22/101.98	120.7	10.9	32.0	49.3
210	1-15/16	4.9	WS400	1.72	5.82	0.688	3.38	3.56	1	0.63	0.75	3.25	1.94	2.50	3.985/4.015	4.75	0.43	1.29	1.94
	2	4.8		43.6	147.8	17.48	85.9	90.4	25.4	16.0	19.1	82.6	49.3	63.5	101.22/101.98	120.7	11.0	32.7	49.3
	50mm	2.2		43.6	147.8	17.48	85.9	90.4	25.4	16.0	19.1	82.6	49.3	63.5	101.22/101.98	120.7	11.0	32.7	49.3
211	2	6.8	WS502	1.90	6.69	1.063	3.75	4.19	1-1/4	0.75	1.00	4.00	2.50	2.75	5.110/5.140	5.88	0.47	1.43	2.50
	2-3/16	6.6		48.3	169.9	27.00	95.3	106.4	31.8	19.1	25.4	101.6	63.5	69.9	129.79/130.56	149.4	12.0	36.4	63.5
	55mm	3.1		48.3	169.9	27.00	95.3	106.4	31.8	19.1	25.4	101.6	63.5	69.9	129.79/130.56	149.4	12.0	36.4	63.5

FEATURES/BENEFITS PAGE B9-2	SELECTION PAGE B9-6	HOW TO ORDER/NOMENCLATURE PAGE B7-5	MODIFICATIONS/ACCESSORIES PAGE B9-36
--------------------------------	------------------------	--	---